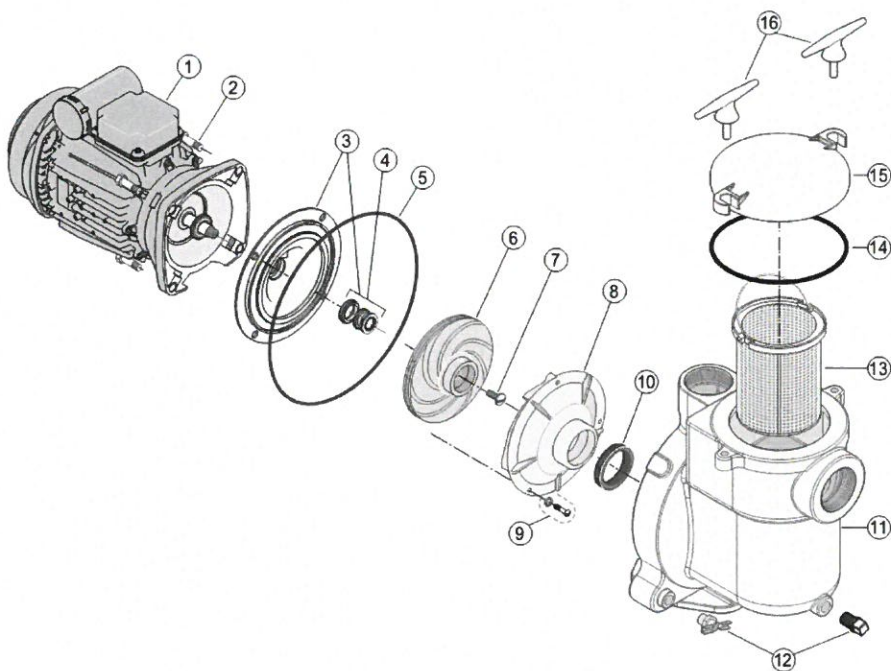




5BR™



5BR™

Replacement Parts

No.	Part No.	Description	Part No.	Includes*
1**	RA-C1	Motor - Mono Phase 0,37KW		1
	RA-C3	Motor - Tri Phase 0,37KW		1
	RA-D1	Motor - Mono Phase 0,55KW		1
	RA-D3	Motor - Tri Phase 0,55KW		1
	RA-E1	Motor - Mono Phase 0,75KW		1
	RA-E3E2	Motor - Tri Phase 0,75KW		1
	RA-F1	Motor - Mono Phase 1,10KW		1
	RA-F3E2	Motor - Tri Phase 1,10KW		1
	2	R070430	Bolts	
3	RC3121D	Seal Plate 0,25KW - 0,37KW	(1)	1
	RC3122D	Seal Plate	(2)	1
4	RU10993SS	Mechanical Seal		1
5	RU9169	O-Ring		1
6	RC105117PD	Impeller 0,37KW Mono Phase	(1)	1
	RC105117PDA	Impeller 0,37KW Tri Phase	(1)	1
	RC105138PCA	Impeller 0,37KW Mono & Tri Phase	(2)	1
	RC105138PD	Impeller 0,55KW Mono Phase		1
	RC105138PDA	Impeller 0,55KW Tri Phase		1
	RC105137PBB	Impeller 0,75KW Mono Phase		1
	RC105137PBBA	Impeller 0,75KW Tri Phase		1
	RC105137P	Impeller 1,10KW Mono Phase		1
	RC105137PA	Impeller 1,10KW Tri Phase		1
7***	RC3012	Impeller Lock Screw		1
8	RL125P21	Diffuser 0,25KW - 0,37KW	(1)	1
	RC1200P	Diffuser	(2)	1
9	RU30542SS	Screws & Washers		3
10	RL211	Diffuser Ring 0,25KW - 0,37KW	(1)	1
	RC2110	Diffuser Ring	(2)	1
11	RC7645DWB	Pump Body & Drain Plugs		1
12	RU21268T	Drain Plugs		2
13	RC10833P	Basket		1
14	RU9161	O-Ring		1
15	RC3140DC	Lid		1
16	RC15418D	Lock Handle Lid		2
	PP5000	Seal Set (Partn° 4, 5, 10, 14)		

* PART NUMBER INCLUDES REQUIRED QUANTITY PER PRODUCT

** SEE MOTOR SHEET FOR MOTOR SPARE PARTS

*** IMPELLER SCREW ONLY ON TRI PHASE PUMPS

(1) ONLY VALID FOR PUMPS BUILT BEFORE 2016

(2) USED ON 0,37KW PUMPS SINCE 2016

Rev. 08/2016