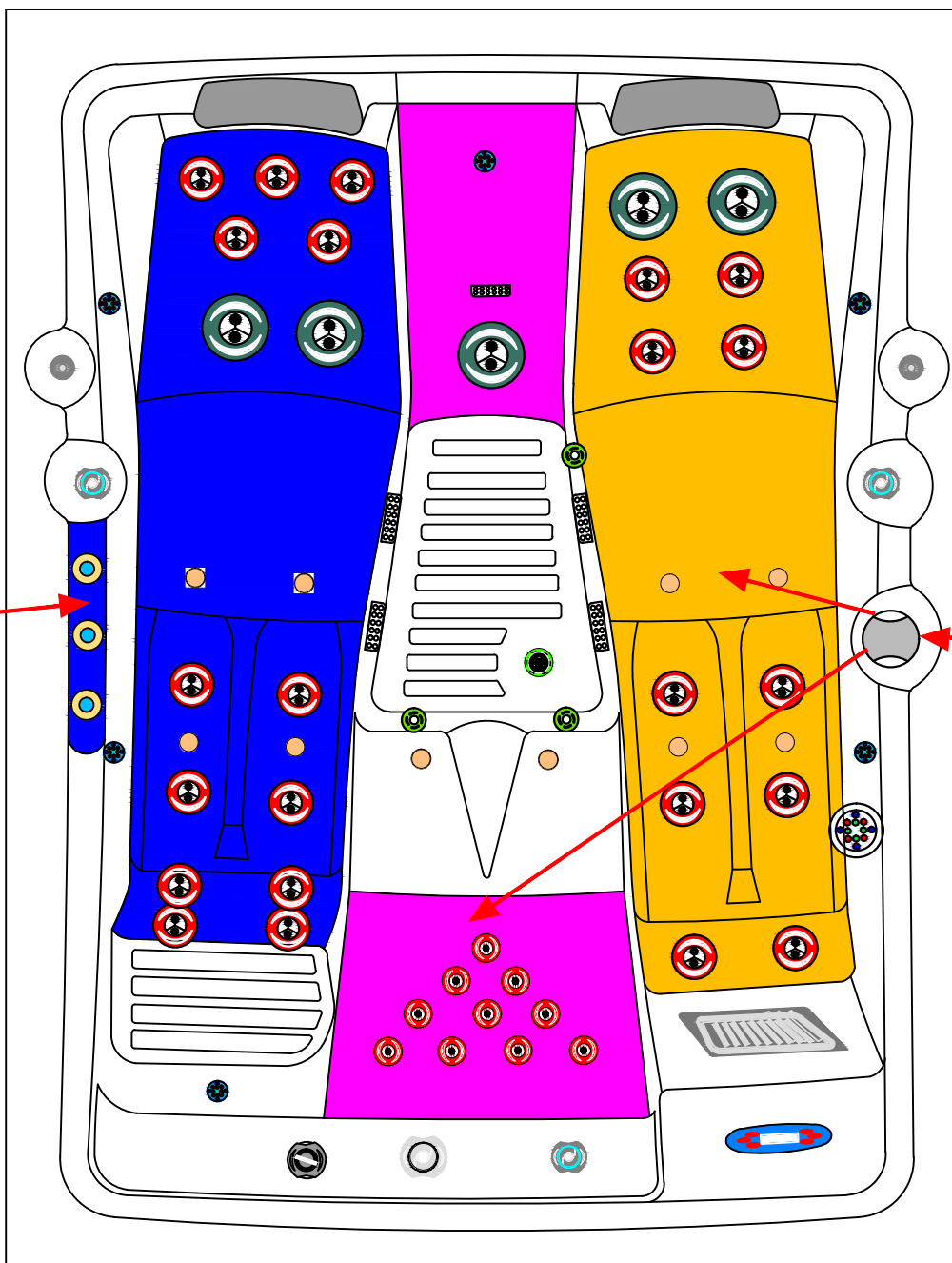
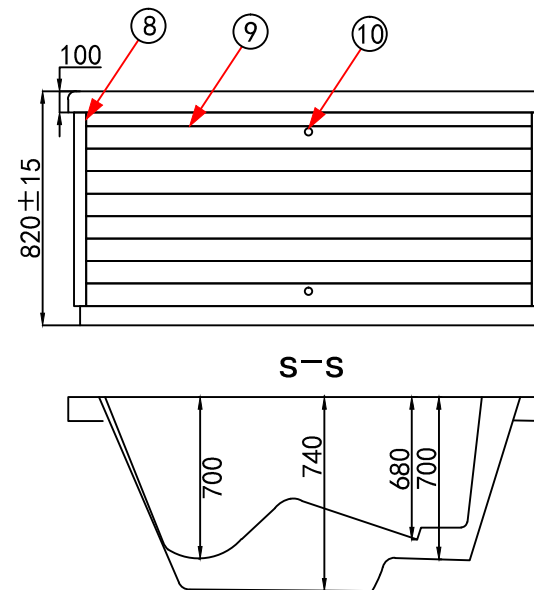
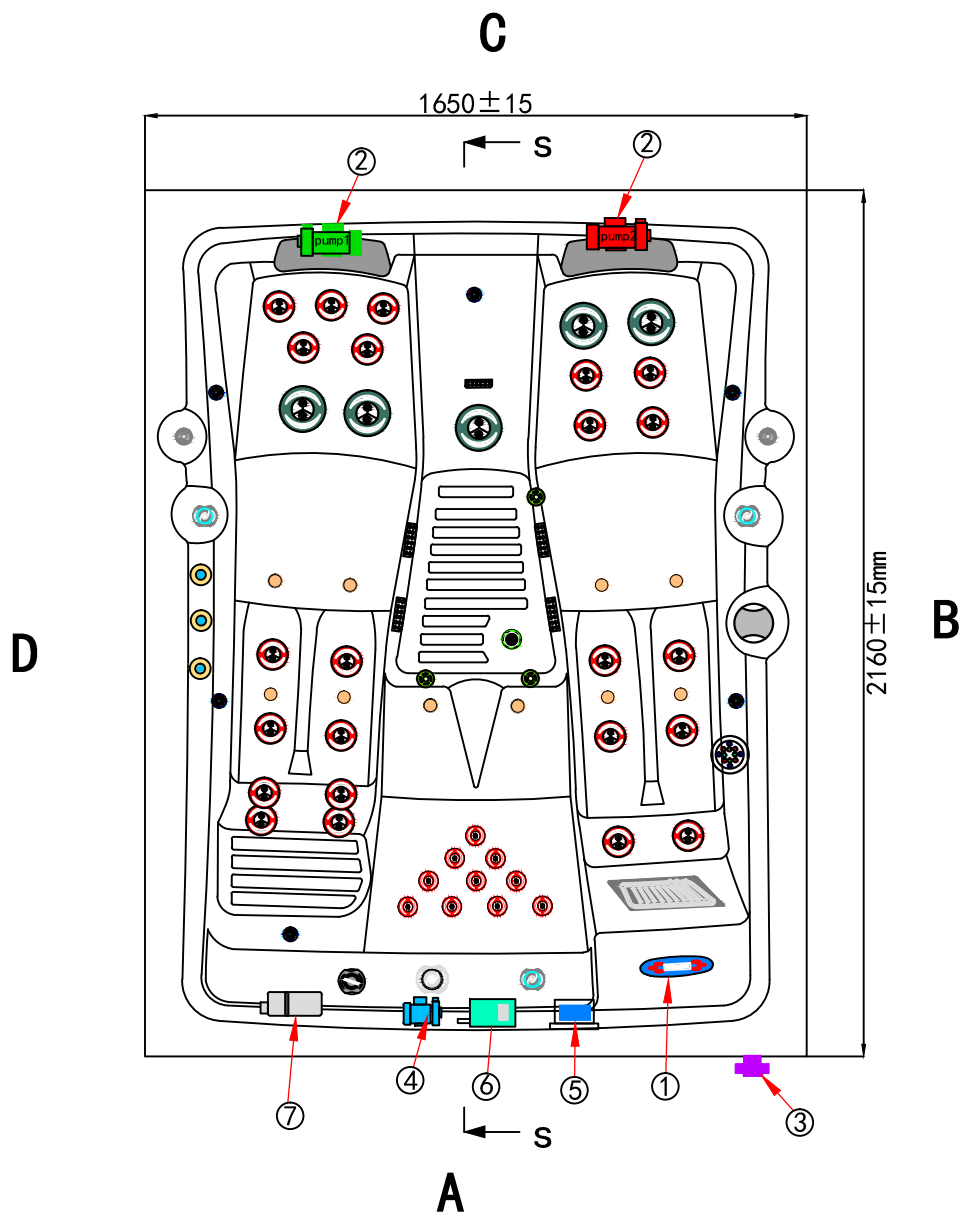


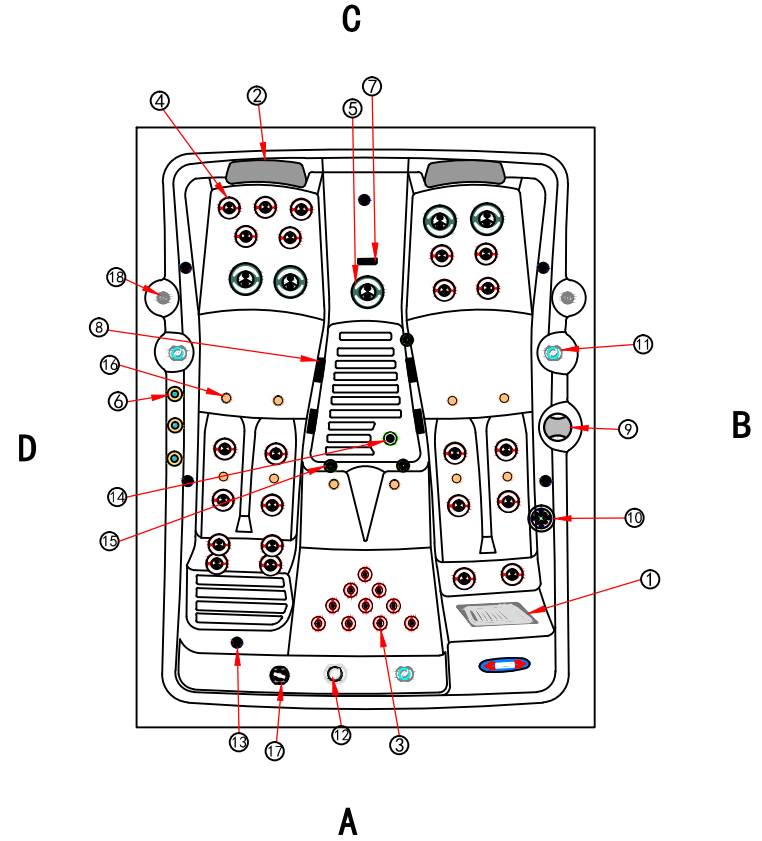
Jet pump 1

Jet pump 2





10	●	Screw cap		8	pc
9	▭	long side panel (2180mm)	plastic skirt	24	pc
8	◻	Cabinet corner	plastic skirt	4	pc
7	☐	400W Air Blower		1	pc
6	☐	Ozone Generator		1	pc
5	☐	Control Box		1	pc
4	☐	0.35HP Circulation Pump		1	pc
3	☐	External Drainage		1	pc
2	☐	3HP pump	LP300	1	pc
2	☐	3HP pump	WP300-II	1	pc
1	☐	Control Panel		1	pc
No.	Icon	Description	Part#	Qty	Unit



18		From the panel	L-2064C	2	pc	9		2" Luxury elegant water diverter	L-2030C	1	pc
17		1.5" Luxury elegant aromatherpy	L-1111S	1	pc	8		2" Suction	L-2025C	4	pc
16		Spa drain with ss	L-2603	10	pc	7		1.5" Suction	L-2025C	4	pc
15		Ozone jet	L-2603	3	pc	6		Laminar jet	L-2317S	3	pc
14		Spa drain with ss	L-3809S	1	pc	5		5" Flying series SS twin rotary jet	L-4783S	4	pc
13		2.5" LED light glass holder		6	pc	4		3" Flying series SS twin rotary jet	L-4483S	29	pc
12		1" Luxury elegant water diverter	L-2025C	1	pc	3		2" Flying series SS directional jet	L-4283S	22	pc
11		1" Luxury elegant air control	L-2035C	3	pc	2		Headrest	EVA813	2	pc
10		5" Underwtaer light with stainless steel (with light)	L-2301S	1	pc	1		skim filter	L-2119	1	pc
No.	Icon	Description	Part#	Qty	Unit	No.	Icon	Description	Part#	Qty	Unit